



X

X FIT AT

Laufenn

Journey in Style

When the Blue that represents rational value and the Red that represents emotional value meet, the Violet of Laufenn is born. Laufenn provides smart consumers both practical value and satisfaction.



Laufenn ensures an exceptional driving experience through optimized performance – In any weather or in any season, rain or snow, summer or winter.

Laufenn provides the performance you need over a wide range of conditions – in your everyday life, under any road conditions, on or off-road.

Confident

The ability Laufenn provides is rooted in its uncompromising commitment to quality. When you go to work or head out to meet your friends... When you go on a trip or venture out to a new place... Laufenn is there with you everyday providing optimized performance and confidence.

Simple

Laufenn is Simple – with no add-ons and nothing to spoil your driving experience. Committed to the basics, Laufenn offers a pure driving experience tailored to for your needs.

Open-minded

Laufenn refuses to accept a one-size-fits-all attitude. You know value when you see it and are determined to embrace new choices. Making Laufenn your choice is transforming your own value into a new trend.

Sensible

Laufenn understands your refined taste. You have an extraordinary eye for quality – all at a glance. Your choices are always solid. Laufenn expresses your excellent style and represents your fashionable personality.



X FIT 2T

All Terrain LT & SUV Tire



Off Road



Traction



Durability

The X FIT AT provides SUV and light truck drivers with impressive traction and improved capability resulting in outstanding on and off-road performance.



FEATURES

- Designed to resist external damage
- Improved traction and braking
- Enhanced off-road traction
- Excellent grip in wet conditions

X FIT AT

Speed Symbol : T/R/S

Series : Metric 65~75srs,
LT Metric 70~85srs

Inch : Metric 15~18",
LT Metric 15~17"

UTQG : 520 A B

Performance Information



Off-road

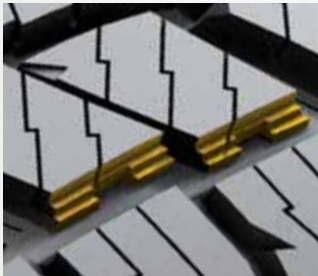


Off Road



Traction

The design of the X FIT AT ensures optimized handling and performance for both on and off-road driving conditions.



Stone Ejectors

The stepped groove inside tread block design of the X FIT AT prevents stones from lodging in its tread, protecting the tire from external damage.



X FIT AT



Standard Tire

Rock Block 3D-Edge

A 3D-edged sidewall block design protects the X FIT AT from external impact damage and offers enhanced traction in muddy or snowy conditions.



Waved & Deep Kerf Depth

A 2-step deep kerf design helps to maintain both on and off-road performance throughout the life of the tire.



X FIT AT



Standard Tire



On & Off-Road



Handling



Wet



Braking

Advanced design for driving enjoyment in every season.



4 Circumferential Grooves

Four wide grooves provide efficient water drainage in wet conditions to help prevent hydroplaning.



Zigzag Block Edge

A zigzag block edge design increases traction in dry, muddy and snowy conditions.



Wide Tread

A wide tread design ensures stable driving by maintaining top-of-the-line grip in any season and in any road condition, on or off-road.



X FIT AT



Standard Tire

Safety

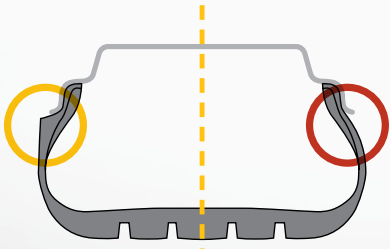


Durability

The X FIT AT tires ensure safe driving on rugged off-road terrain.

Rim Protectors

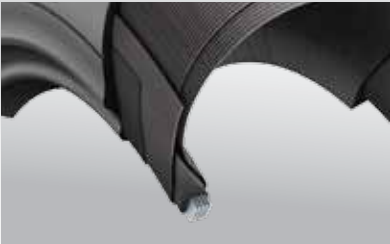
A rim protector designed into the tire's bead section helps to prevent external impact damage that can occur when driving in rugged terrain and also helps protect vehicle wheels.



X FIT AT Standard Tire

Rim Cushion

A special rubber compound serves as a rim cushion where the tire's bead meets the wheel to prevent damage from external impacts when driving in harsh conditions. This rim cushion also offers more stable driving performance.



TIRE STRUCTURE

The X FIT AT adopts new technology for SUVs and light trucks, engineered for on & off performance.

Reinforced Under-Tread Gauge

Helps to prevent internal damage from impacts sustained when off-road.

Thick Sidewall Rubber Gauge

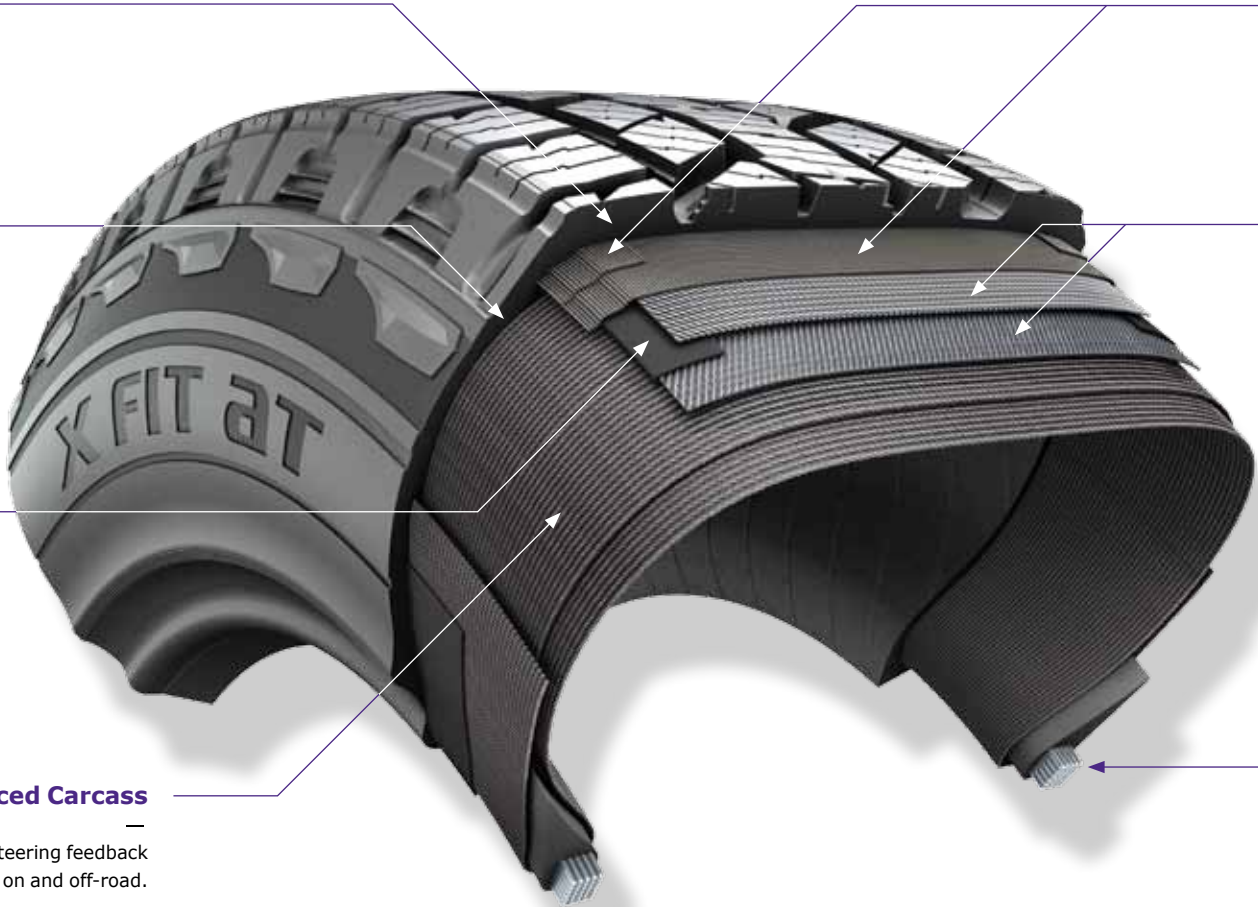
Helps minimize damage from off-road impact.

Folded Belt Edge Tape

Improves handling performance in high speed.

Reinforced Carcass

Improves steering feedback and stability both on and off-road.



Nylon-Reinforced Belts

Maximizes the tires contact with the road for improved handling and tread life (depends on size).

High-Strength 2 Steel Belts

Improve steering stability.

Jointless Bead Wire

Improved bead uniformity.

* The model size in the structural diagram is for the 245/75R16T tire, and the descriptions of structural diagrams may vary by size.

AVAILABLE SIZES

Metric

15 inch

Size	Ply Rating	Sidewall Type
235/75R15 109T XL	4	B

18 inch

Size	Ply Rating	Sidewall Type
275/65R18 116T	4	B

16 inch

Size	Ply Rating	Sidewall Type
235/70R16 106T	4	B
245/70R16 107T	4	B
255/70R16 103T	4	B
265/70R16 112T	4	B
245/75R16 111T	4	B

17 inch

Size	Ply Rating	Sidewall Type
245/65R17 107T	4	B
265/65R17 112T	4	B
245/70R17 110T	4	B
255/70R17 112T	4	B
265/70R17 115T	4	B

LT-Metric

15 inch

Size	Ply Rating	Sidewall Type
LT235/75R15 104/101R	6	B

16 inch

Size	Ply Rating	Sidewall Type
LT225/75R16 115/112S	10	B
LT245/75R16 120/116S	10	B
LT235/85R16 120/116R	10	B

17 inch

Size	Ply Rating	Sidewall Type
LT245/70R17 119/116R	10	B
LT265/70R17 121/118S	10	B
LT245/75R17 121/118S	10	B
LT235/80R17 120/117R	10	B

Flotation

15 inch

Size	Ply Rating	Sidewall Type
31X10.50R15 109R	6	B

Laufenn

1450 Valley Road
Wayne, NJ 07470
Tel. 1-888-652-8768 / Fax. 973-633-0028